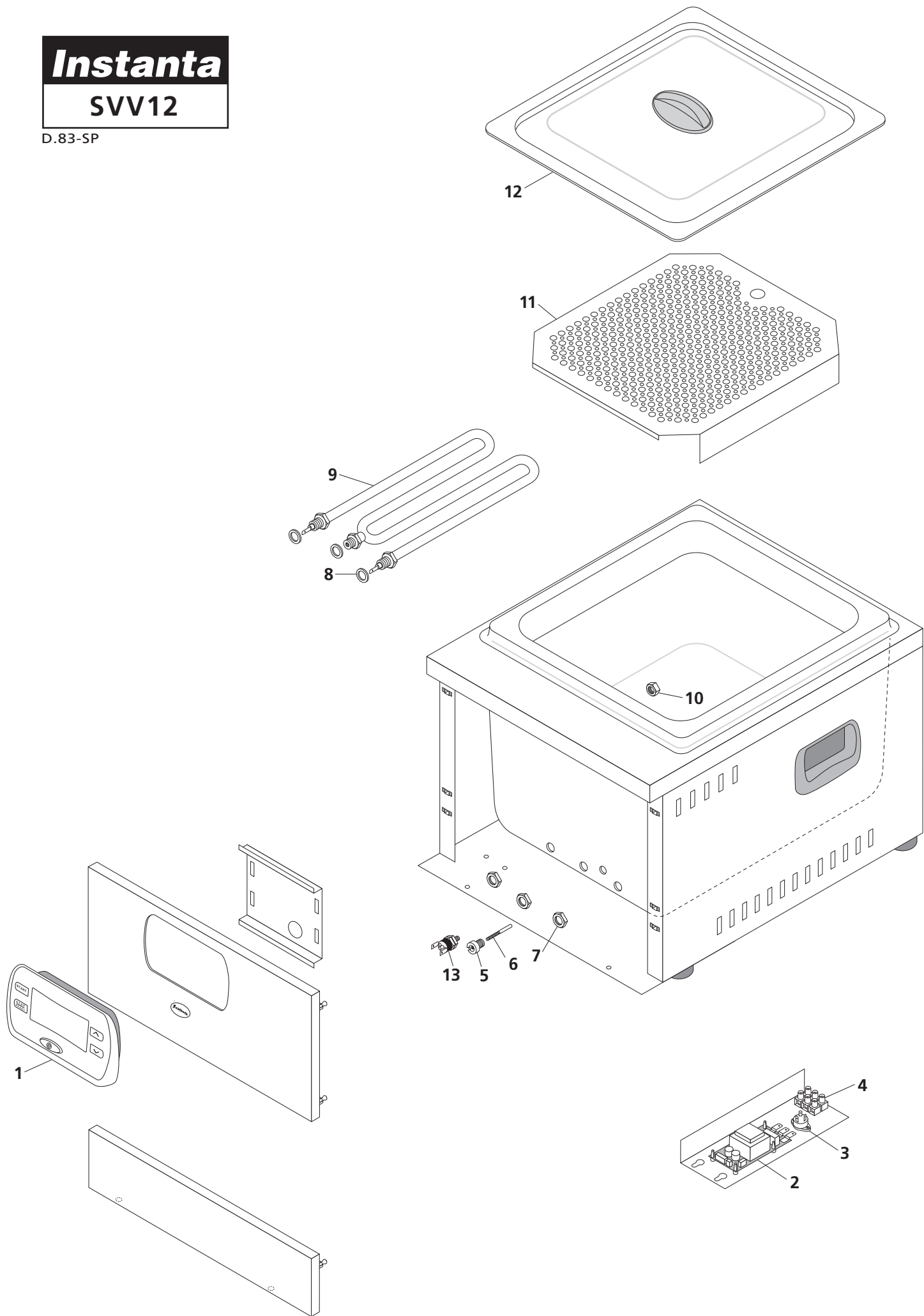


Instanta

SVV12

D.83-SP



SVV12 Exploded Drawing Key (D.83-SP)

DWG No.	Description	Part No.	Price (£)
1	Display PCB	XE891	89.95
2	Main PCB	XE890	36.00
3	Triac	XE851	15.08
4	Terminal Block	E1254	3.52
5 &6	Probe Assembly	PRB1/A	16.25
7	Element Nut	T513	0.41
8	Silicone Element Washer	XEN100/W	1.31
9	Element	SVV109/1.6	59.95
10	Probe Nut	T514/P	1.92
11	Baffle Plate	SVMA7	Ring Spares
12	Main Lid	SVV105	Ring Spares
13	Element Boil-dry Cut-out	XETR5 (Before SVC011030)	8.70
13	Element Boil-dry Cut-out (Dual Pole)	XETR9 (from SVC011030)	10.95
--	Thermistor	XE853	13.00